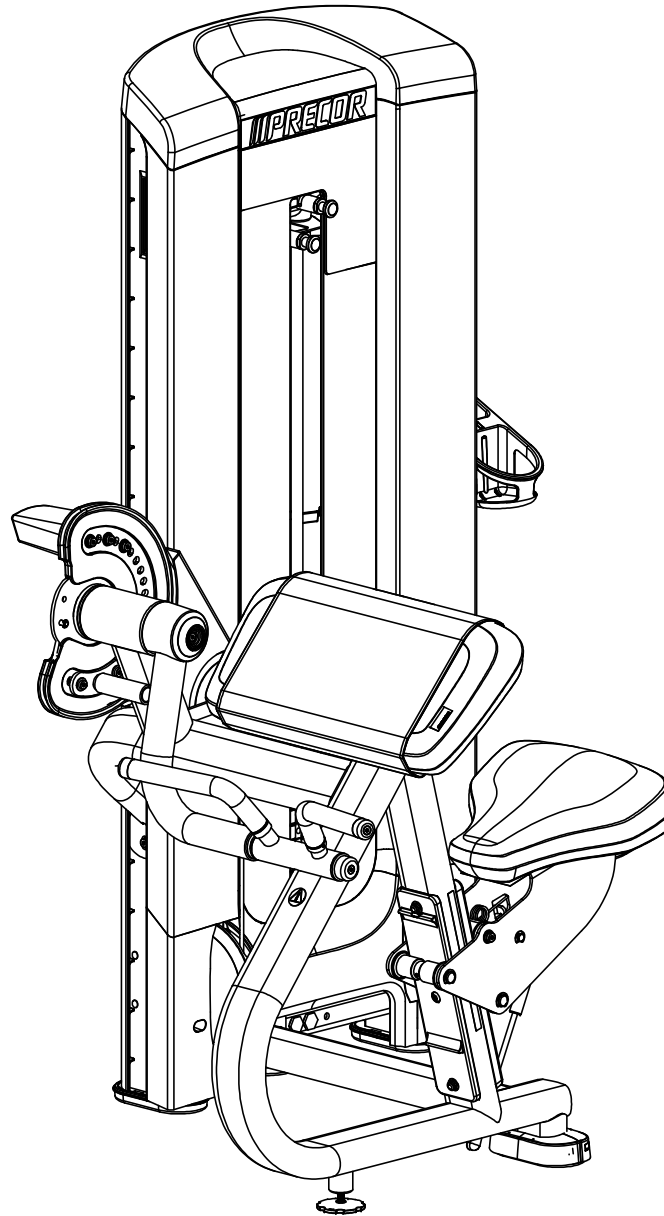


NOTES:

1. THIS LABEL IS FURNISHED AS PART OF A LABEL KIT. ORDER REPLACEMENT LABEL KITS AS FOLLOWS:

ENGLISH - BUBBLE #201
CHINESE - BUBBLE #202
FRENCH - BUBBLE #203
GERMAN - BUBBLE #204
JAPANESE - BUBBLE #205
SPANISH - BUBBLE #206
DUTCH - BUBBLE #207
PORTUGUESE - BUBBLE #208
RUSSIAN - BUBBLE #209
HEBREW - BUBBLE # 210
ITALIAN - BUBBLE #211



C204EC, BICEP CURL

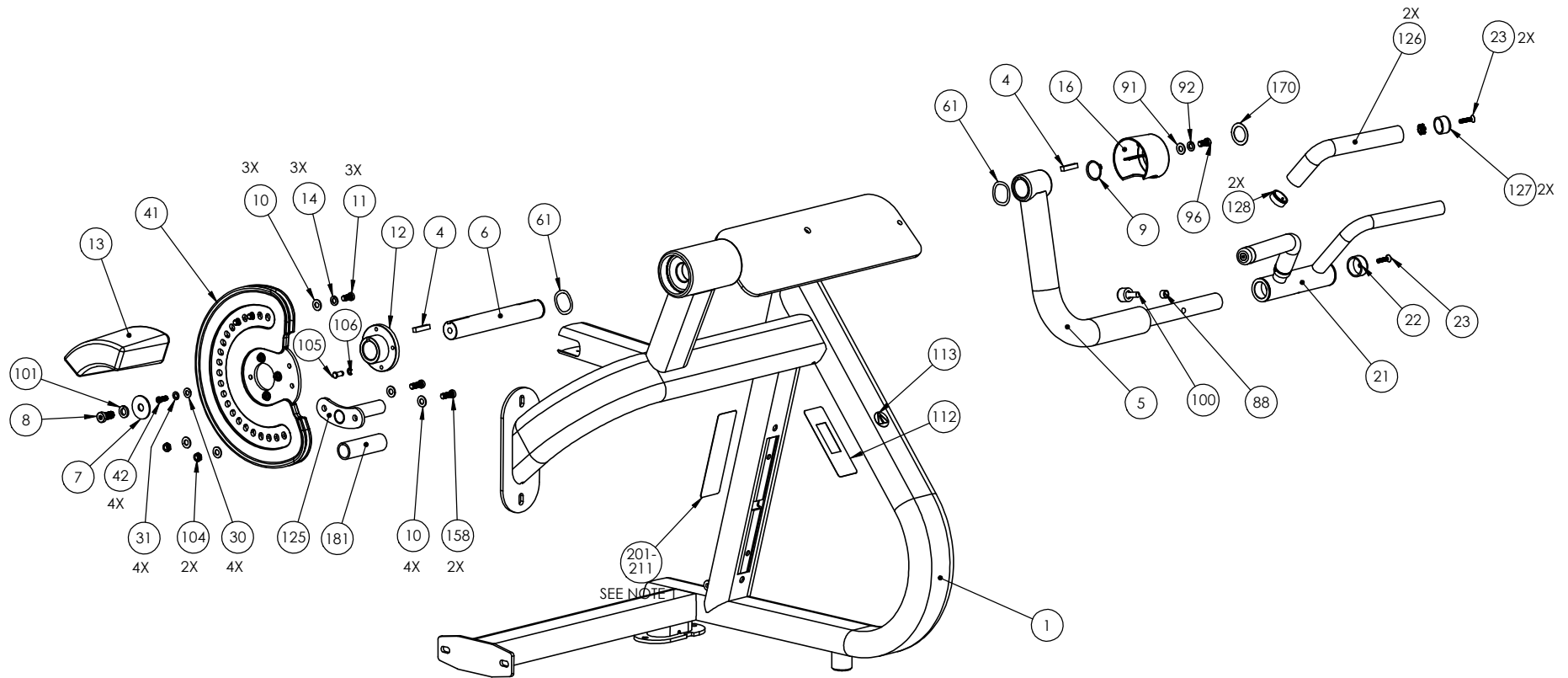
P/N : CW34090-101

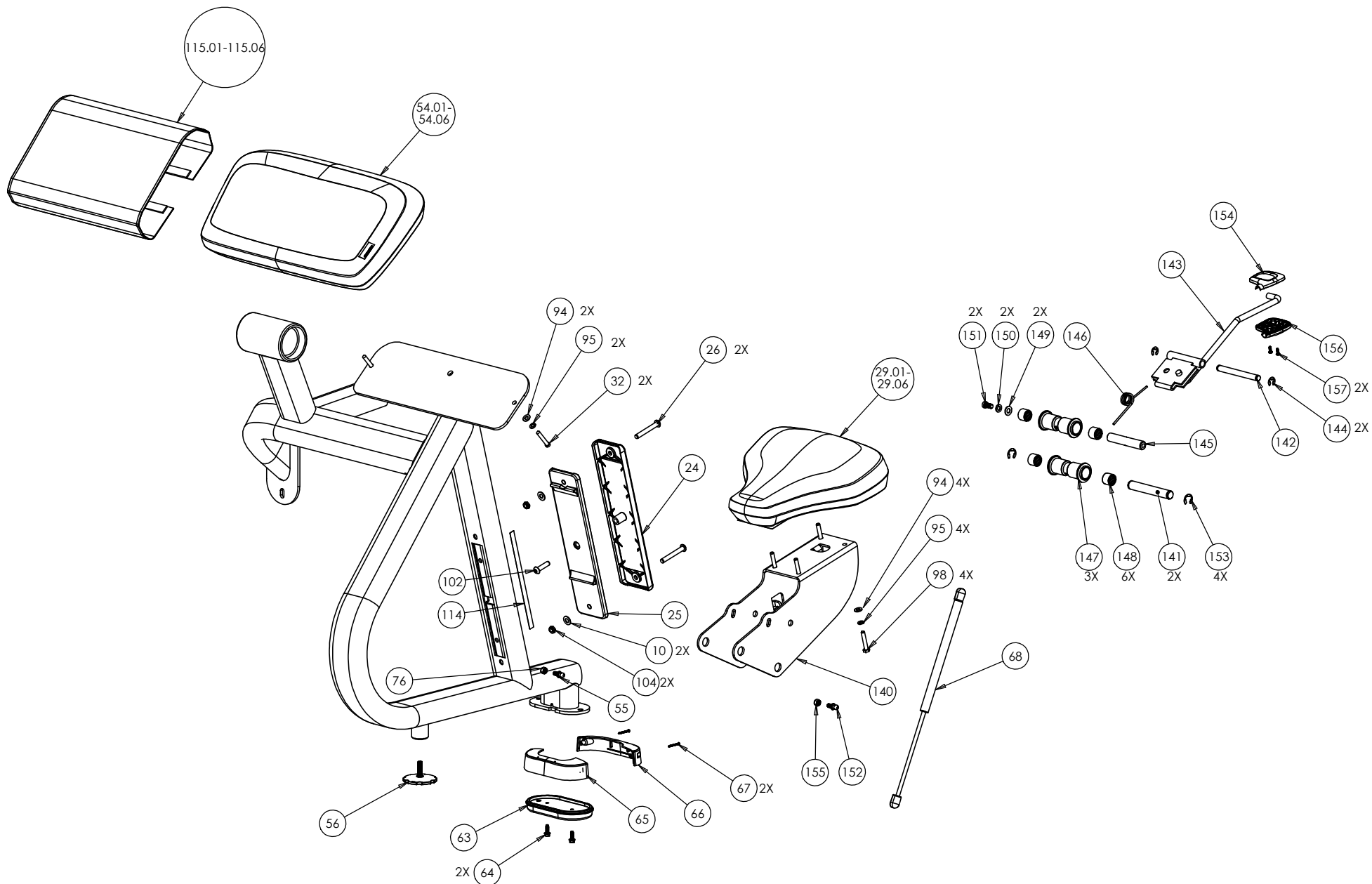
SUBREV : K

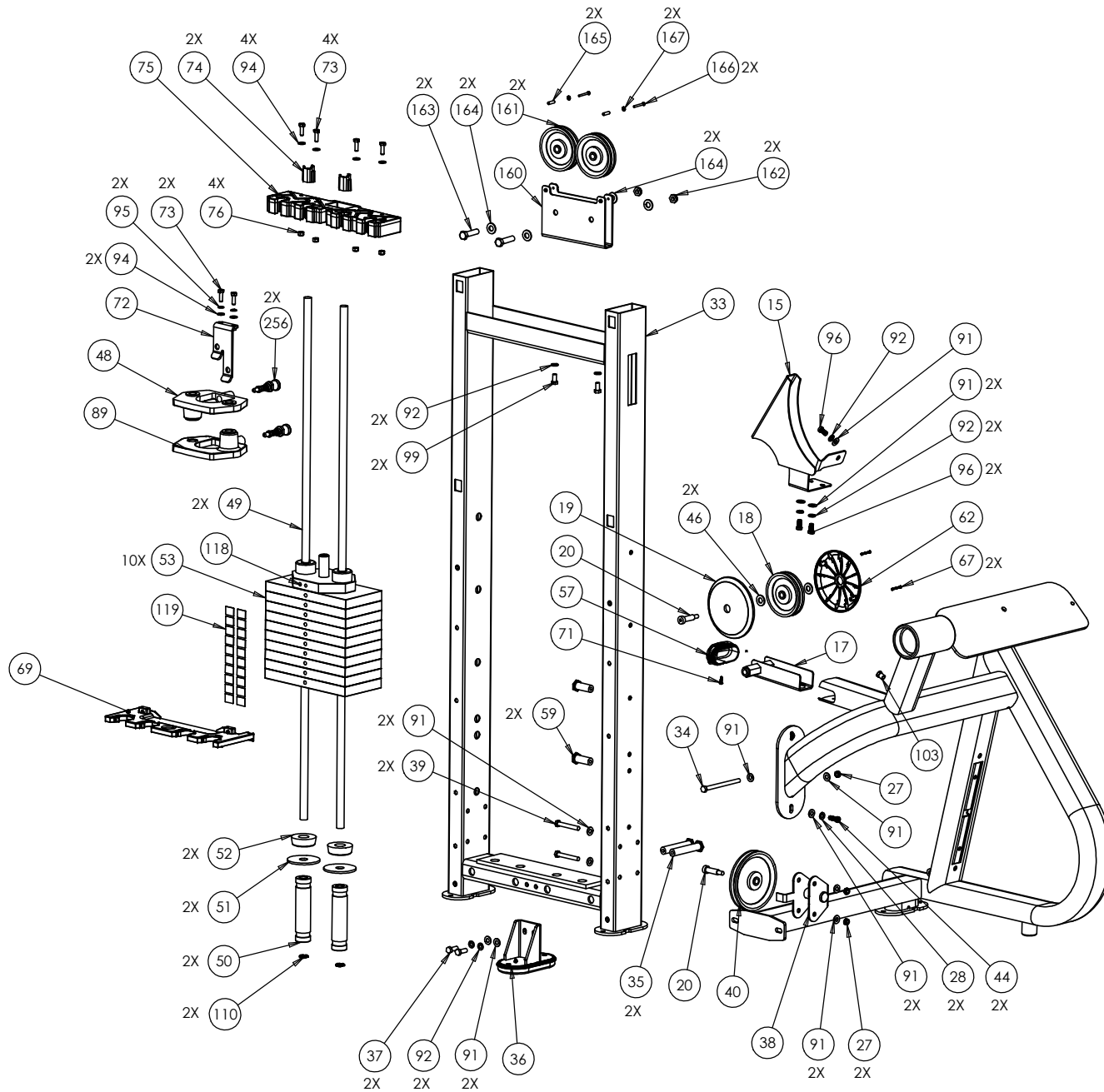
DRAWN BY : C THOMSON

DATE : 06 JAN 2012

SHEET 1 OF 5







C204EC, Bicep Curl, C-Line

Part Number	Description	Bubble Number
CW50230-101	ASSEMBLY, MAIN FRAME, BICEP/TRICEP	1
CW10220-101	KEY, SQUARE, 5/16 X 1-1/2	4
CW33761-102	WLDMT, ARM, BI-TRI	5
CW33753-101	BAR, 1 7/16 DIA.,PIVOT SHAFT	6
CWWABCN050-010	WASHER, FENDER, 1/2 ID X 1 3/4 OD,	7
CWCPMN050-100	SCREW, SCKT LW HD, MCH CLR ZI,1/2-1	8
CWAACN138-003	RETAINING RING, EXTERNAL 1.375 DIA	9
CWAAHN134-006	RETAINING RING, EXTERNAL, 34MM(1.33	9
CWWBTN038-007	WASHER, FLAT, TYPE A, SAE, 3/8 ID	10
CWCPTN038-075	SCREW, SCKT LW HD, BLK SHP,3/8-16X3	11
CW33754-101	BAR, 3.50 DIA. X 1.50	12
CW33766-101	COUNTER WEIGHT, BI-TRI	13
CWWALYN038-009	WASHER, SPLIT, 3/8 ID, BLK XYLAN	14
CW33990-101	FORMED SHEET,10 GA (.135),PULLEY GU	15
CW33998-101	MAIN PIVOT COVER, BICEP/TRICEP	16
CW33844-102	WLDMT, PULLEY DEFLECTOR, BI-TRI	17
CWAC1009-101	PULLEY, 4 1/2 DIA X 1/2 ID	18
CW33997-107	4.5" PULLEY COVER, HEX MOUNT, FRONT	19
CWRANN038-150	BOLT, SHOULDER, 3/8-16 X 1/2 X 1 1/	20
CW34085-101	ASSY, HANDLE, BICEPS CURL	21
CW34060-101	END CAP, HANDLE, AL, 1.25" OD	22
CWMACMN025-100	SCREW, FLT HEAD, SOCKET, MECH CLR Z	23
CW33821-101	INDEXING PLATE, SEAT ADJUST	24
CW33822-101	STOP PLATE, SEAT ADJUST	25
CWTAKN038-275	SCREW,BTHD,3/8-16X2-3/4,BLK ZN	26
CWKACN038-027	LOCKNUT,HALF, 3/8-16, ZN	27
CWWATCN038-032	WASHER, LK, INT. TOOTH, .375	28
CWPD4003-101	SEAT PAD, RENOVO, BLACK	29.01
CWPD4003-114	SEAT PAD, RENOVO, CUSTOM	29.02
CWPD4003-118	SEAT PAD, RENOVO,IMP BLUE	29.03
CWPD4003-122	SEAT PAD, RENOVO, PAPRIKA	29.04
CWPD4003-131	SEAT PAD, RENOVO, MAHOGANY	29.05
CWWBTN031-007	WASHER, FLAT, TYPE A, SAE, 5/16 ID	30
CWWALYN031-008	WASHER, SPLIT, 5/16 ID, BL	31
CWCPMN031-175	SCREW, SOCKET LOW HEAD, MECH CLR ZI	32
CW33767-103	WLDMT, WEIGHT TOWER, SHORT,PTD	33
CWHCCN038-500	SCREW, HEX, CLR. ZINC, 3/8-16 X 5.0	34
CW33991-101	WEIGHT TOWER BOLT ON, LONG	35
CW34380-101	ASSY, STABILITY FOOT	36
CWEANN016-013	SCREW, SET, SCKT, CUP POINT, 8-32 X	36
CWHCCN038-100	SCREW, HEX, CLR ZINC, 3/8-16 X 1.00	37
CW33773-101	WLDMT, WS BASE PULLEY	38
CWHCCN038-275	SCREW, HEX, CLR. ZINC, 3/8-16 X 2 3	39
CWAC1010-101	PULLEY, 6 DIA X 1/2 ID	40
CW33999-101	6.68" MOLDED CAM	41
CWCPTN031-075	SCREW, SOCKET LOW HEAD, BLACK SHARP	42
CW34787-101	WATER BOTTLE HOLDER, WEIGHT STACK	43
CWCPMN038-100	SCREW, SCKT LW HD, MCH CLR ZI,3/8-1	44
CW33966-103	ASSEMBLY, CAST DROP DOWN,TOP	48

CW33994-101	BAR, .750 DIA, SHORT GUIDE ROD	49
CW33633-101	BAR, 1.50 DIA, WEIGHT STACK RISER	50
CW33894-101	WASHER, BUMPER BACKING	51
CW12402-101	BUMPER, ID 1.050, BLK RUBBER	52
CW34292-101	ASSEMBLY, WEIGHT PLATE, RECTANGULAR	53
CWPD4000J-101	ELBOW PAD,RENOVO,BLACK WITH SLIPCOV	54.01
CWPD4000J-114	ELBOW PAD,RENOVO,CUSTOM WITH SLIPCO	54.02
CWPD4000J-118	ELBOW PAD,RENOVO,BLUE WITH SLIPCOVE	54.03
CWPD4000J-122	ELBOW PAD,RENOVO,PAPRIKA WITH SLIPC	54.04
CWPD4000J-131	ELBOW PAD,RENOVO,MAHOGANY WITH SLIP	54.05
CW33992-101	BALL, GAS SPRING	55
CW39916-103	FOOT, ADJUSTING, NO LOGO	56
CW33996-101	DOUBLE D TUBE END CAP	57
CW34012-103	PULLEY COVER, 6 INCH, SILVER GRAY	58.01
CW34012-104	PULLEY COVER, 6 INCH, AMAZON STONE	58.02
CW33991-102	WEIGHT TOWER BOLT ON, SHORT	59
CW12112-101	RIVNUT,INSERT,HEX,1/4-20	60
CWWAHNN140-002	WASHER,WAVE, 1.40 ID, 1.82 OD, .02	61
CW33997-110	4.5" PULLEY COVER, HEX MOUNT, BACK	62
CWPLCN025-075	SLOTTED, HEX, WASHER, HEAD, 1/4-20	64
CW34061-103	FOOT COVER FRONT, 15 DEGREES SHORT	65
CW34061-104	FOOT COVER BACK, 15 DEGREES SHORT	66
CWPMTN016-125	SCREW, SELF TAPPING,#8 X 1 1/4 PHIL	67
CW33993-101	GAS SPRING, 200MM STROKE	68
CW34367-101	LOWER COVER SUPPORT ASSY	69
CWPMTN016-063	SCREW, SELF TAPPING,#8 X 5/8 PHIL,	71
CW33967-102	PLATE, .19 THICK, DRP DW WT MNT	72
CWHCCN031-100	SCREW, HEX, GR 5, 5/16-18 X 1.0, ZN	73
CW34015-101	UPPER GUIDE ROD LOCK	74
CW34014-101	UPPER GUIDE ROD SUPPORT	75
CWKACN031-016	LOCKNUT,HALF, 5/16-18,ZN	76
CW34072-101	ASSY, BACK TOP SHROUD, SHORT, PACIF	77.01
CW34072-102	ASSY, BACK TOP SHROUD, SHORT, DARK	77.02
CW34375-101	ASSY,COVER, BACK, LOWER, SHORT, PAC	78.01
CW34375-102	ASSY,COVER, BACK, LOWER, SHORT, DAR	78.02
CW33947-103	COVER, TOP	79.01
CW33947-104	COVER, TOP, AMAZON STONE	79.02
CW34067-101	PLASTIC RECESSED HANDLE	80
CW34005-103	ASSY, WINDOW BASE SHROUD, SHORT, SI	81.01
CW34005-104	ASSY, WINDOW BASE SHROUD, SHORT, AM	81.02
CW34343-101	CORNER COVER ASSY, LEFT, SILVER GRA	82.01
CW34343-103	CORNER COVER ASSY, LEFT, AMAZON STO	82.02
CW34343-102	CORNER COVER ASSY, RIGHT, SILVER GR	83.01
CW34343-104	CORNER COVER ASSY, RIGHT, AMAZON ST	83.02
CW33945-101	COVER, CENTER	84.01
CW33945-102	COVER, CENTER, AMAZON STONE	84.02
CW34013-101	PLUG, PULLEY, SILVER GRAY	85.01
CW34013-102	PLUG, PULLEY, AMAZON STONE	85.02
CW33870-104	ASSEMBLY, 5" WEIGHT STACK PIN & LEA	86
CWTATN025-075	SCREW, BUTTON HEAD, SHARPERIZED BLK	87
CW34340-101	TUBE, 9/16 OD X 16GA THICK, BUMPER	88
CW33966-102	ASSEMBLY, CAST DROP DOWN,BOTTOM	89

CWWBCN038-007	WASHER, FLAT, TYPE A, 3/8 ID X 13/1	91
CWWALCN038-009	WASHER, SPLIT, 3/8 ID, CLR ZINC	92
CWWBCN031-007	WASHER, FLAT, TYPE A, SAE, 5/16 ID	94
CWWALCN031-008	WASHER, SPLIT, 5/16 ID, ZN	95
CWCPMN038-075	SCREW, SCKT LW HD,MCH CLR ZI,3/8-16	96
CWCLMN153-500	ASSY, CABLE, BICEP, RENOVO	97
CWHCCN031-175	SCREW, HEX, GR 5, 5/16-18 X 1 3/4 C	98
CWHCCN038-075	SCREW, HEX, CLR. CLR. ZINC, 3/8-16	99
CW34666-102	STOP BUMPER W/THREADED STUD, 3/8-16	100
CWWALCN050-013	WASHER, SPLIT, 1/2 ID, CLR ZINC	101
CWTAKN038-150	SCREW,BTHD,3/8-16X1-1/2,BLK ZN	102
CW12112-103	RIVNUT,INSERT, HEX, 3/8-16, .685 LO	103
CWKATN038-027	LOCKNUT,HALF, 3/8-16, SHARPERIZED B	104
CW34252-101	PIN, CLEVIS W/ GROOVE,5/16 DIA	105
CWAECN031-003	E-RING, .31 DIA X .03 THICK, CLR ZN	106
CW34788-101	LABEL PLACARD, WATER BOTTLE, WEIGHT	107
CW34364-101	WLDMT, WATER BOTTLE HOLDER	108
CW11095-107	CAP, PLASTIC, HEYCO, DOME PLUG, 0.3	109
CW12651-101	WAVE SPRING, .85 OD X .66 ID X .17	110
CWMGCN016-050	SCREW, MCH, 8-32 X 1/2, PANHD, PHIL	111
CW34737-101	LABEL, REGULATORY, BICEP CURL, C-LI	112
CW34758-102	LABEL,PINCH POINT WARNING, RENOVO,	113
CW34377-103	LABEL,SEAT ADJUSTMENT, VERTICAL	114
CW34373-101	LABEL,CABLE BOLT WARNING STRENGTH,	115
CWPD4000E-101	SLIPCOVER, ELBOW PAD, RENOVO, BLACK	115.01
CWPD4000E-114	SLIPCOVER, ELBOW PAD, RENOVO, CUSTO	115.02
CWPD4000E-118	SLIPCOVER, ELBOW PAD, RENOVO, IMP B	115.03
CWPD4000E-122	SLIPCOVER, ELBOW PAD, RENOVO, PAPRI	115.04
CWPD4000E-131	SLIPCOVER, ELBOW PAD, RENOVO, MAHOG	115.05
CW34073-102	PRECOR BADGE, BACK	116
CW34074-101	REAR COVER SNAP	117
CW34295-101	ASSEMBLY, TOP PLATE, 170 LBS RECTAN	118
CW50267-101	KIT, WEIGHT STACK LABELS, 170 LB	119
CW34355-101	HARDWARE KIT, RENOVO	120
CWWBCN050-010	WASHER, FLAT, TYPE A, NARROW, 1/2 I	121
CW34899-101	ASSEMBLY, CAM STOP	125
CWGR4610-000	GRIP, RUBBER, 1.00" OD HANDLE, 10.0	126
CW34091-101	HANDLE END CAP, ALUM,	127
CWAC219-902	HNDL RETAINER RNG, W/SS,1.040" I.D.	128
CW34341-101	BOTTOM, EDGE COVER, RAIL, LEFT, SIL	130.01
CW34341-103	BOTTOM, EDGE COVER, RAIL, LEFT, AMA	130.02
CW34341-102	BOTTOM, EDGE COVER, RAIL, RIGHT, SI	131.01
CW34341-104	BOTTOM, EDGE COVER, RAIL, RIGHT, AM	131.02
CW33752-102	FORMED PLATE, .19 THICK	140
CW33976-102	BAR, .75 DIA, SEAT ROLLER SHAFT	141
CW33755-102	BAR, .50 DIA., SEAT LATCH SHAFT	142
CW33757-101	WLDMT,LATCH,SEAT ADJUST	143
CWAECN050-004	E-RING,.50 DIA X .04 THICK, CLEAR Z	144
CW33756-101	BAR, .75 DIA.	145
CW33938-101	SPRING, TORSION, SEAT LATCH	146
CW33820-101	ROLLER, SEAT ADJUST	147
CW10221-104	BEARING, NEEDLE, .75 ID	148

CWWBCN038-007	WASHER, FLAT, TYPE A, 3/8 ID X 13/1	149
CWWALCN038-009	WASHER, SPLIT, 3/8 ID, CLR ZINC	150
CWCPMN038-075	SCREW, SCKT LW HD,MCH CLR ZI,3/8-16	151
CW33992-101	BALL, GAS SPRING	152
CWAECN075-005	E-RING,.75 DIA X .05 THICK, CLEAR Z	153
CW34063-101	SEAT ADJUST HANDLE, TOP	154
CWKACN031-016	LOCKNUT,HALF, 5/16-18,ZN	155
CW34063-102	SEAT ADJUST HANDLE BOTTOM	156
CWPMCN016-050	SCREW, SELF TAPPING,#8 X 1/2 PHIL,	157
CWCPTN038-100	SCREW, SOCKET LOW HEAD, SHARPERIZED	158
CW35978-101	DBL PULLY BRKT,FORMED PLATE,10GA(.1	160
CWAC1009-101	PULLEY, 4 1/2 DIA X 1/2 ID	161
CWHCCN050-200	SCREW, HEX HEAD,ZN, 1/2-13 X 2.0	162
CWKACN050-031	LOCKNUT,HALF, 1/2-13, ZN	163
CWWBCN050-010	WASHER, FLAT, TYPE A, NARROW, 1/2 I	164
CW35980-101	SPACER, ALU,.166 ID X .25 OD X .875	165
CWMGCN016-150	SCREW,MCH,8-32X1-1/2,PANHD,	166
CWWAMCN016-020	WASHER, LOCK, EXT TOOTH, #8	167
CW35085-101	LABEL, PIVOT POINT, C-LINE	170
CWGR4604-000	GRIP, RUBBER, 1.00" OD HANDLE, 4.00	181
CW50271-101	KIT, DROP DOWN WEIGHTS.	250
CW50272-101	KIT, CAM STOP, BICEP CURL	255
CW50288-101	KIT, POP PIN, DROP DOWN WEIGHT	256
CW35145-101	CUT PIECE CREPE, .06" THICK	257
CW11095-111	CAP, PLASTIC, HEYCO, PRY OUT PLUG,	265
CW34951-141	LIT KIT, EXPERIENCE C, BICEP CURL,	999